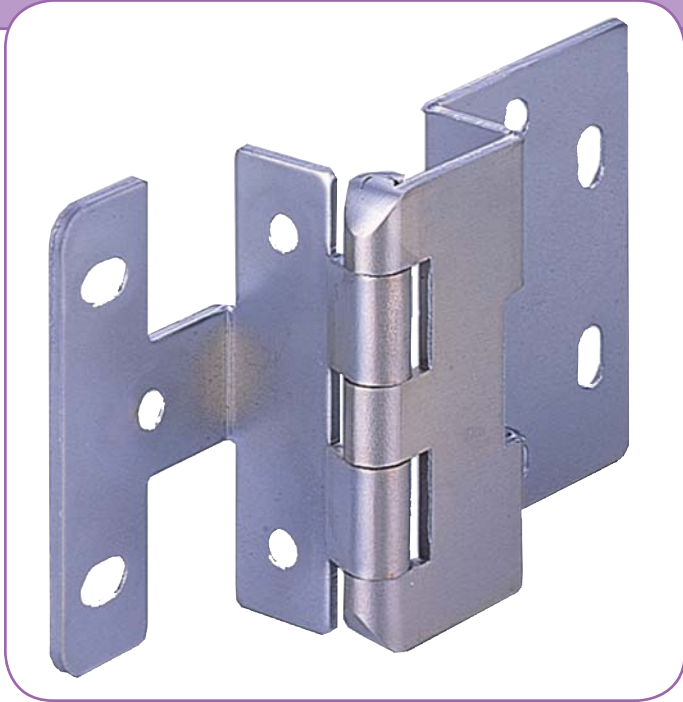


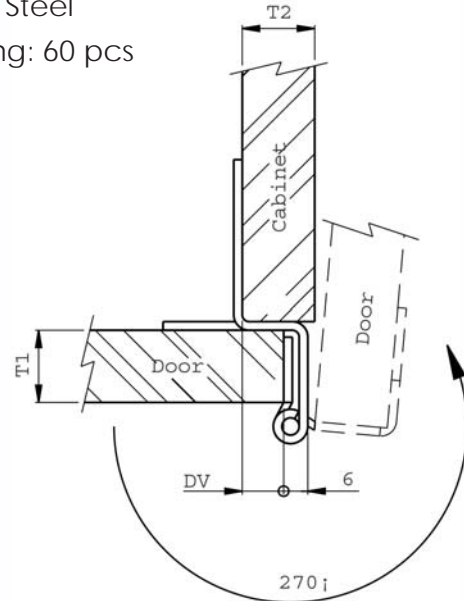
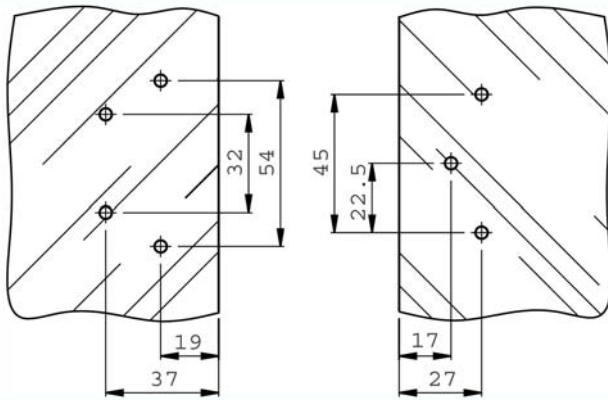
Section 2 — Hinges

Institutional Hinge



High quality design and function provides strength and versatility. Ideal applications include commercial casework in hospitals, offices, schools, military, hospitality furnishings and everywhere a heavy duty wide opening angle hinge is required.

- 270° door opening
- 2.5 mm steel thickness
- 5 knuckle design
- Hospital tips featuring precision milled beveled barrel tips
- Smooth and silent pivot action
- Meets strict government standards
- Material: Steel
- Packaging: 60 pcs



Article #	Door Thickness (T1)	Cabinet Thickness (T2)	Door Overlay (DV)
5270.000	3/4" (19mm)	3/4" (19mm)	9/16" (14mm)
5271.001	13/16" (21mm)	3/4" (19mm)	9/16" (14mm)
5272.002	13/16" (21mm)	13/16" (21mm)	9/16" (14mm)
5273.003	3/4" (19mm)	5/8" (16mm)	9/16" (14mm)
5274.004		For Inlay Door	

Available Finishes:

Satin Chrome Plated	.104
Satin Chrome Powder Coat	.038
Brass Plated	.028
Chrome Plated	.010
Black	.060