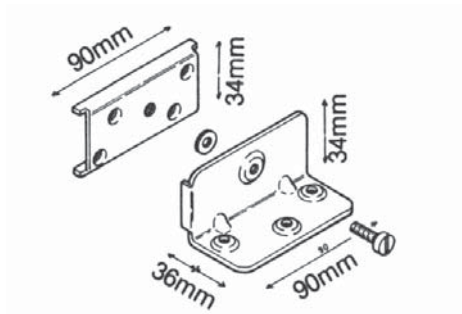


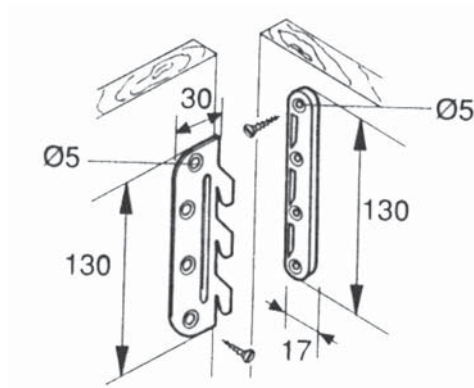
# Section 6 — Connectors, Fittings & Screws

## Bed and K/D Connectors



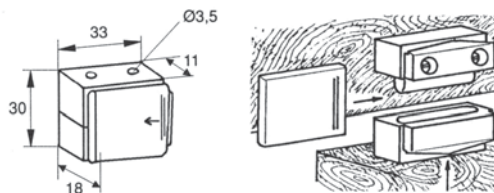
**8055.001.098 Zinc**

- Heavy duty 2-piece fitting
- Single screw creates positive lock
- Material: 2 mm thick steel
- Packaging: 250 sets



**8056.002.097 Yellowed Steel**

- Heavy duty 2-piece fitting
- Lift off feature
- Material: 1.5 mm thick steel
- Packaging: 10 sets



**8051.001.061 White**

**8054.001.067 Brown**

- Sturdy screw-in plastic blocks with nickel plated steel slip cover plate
- After mounting of blocks assembly is achieved without tools
- Packaging: 100 sets