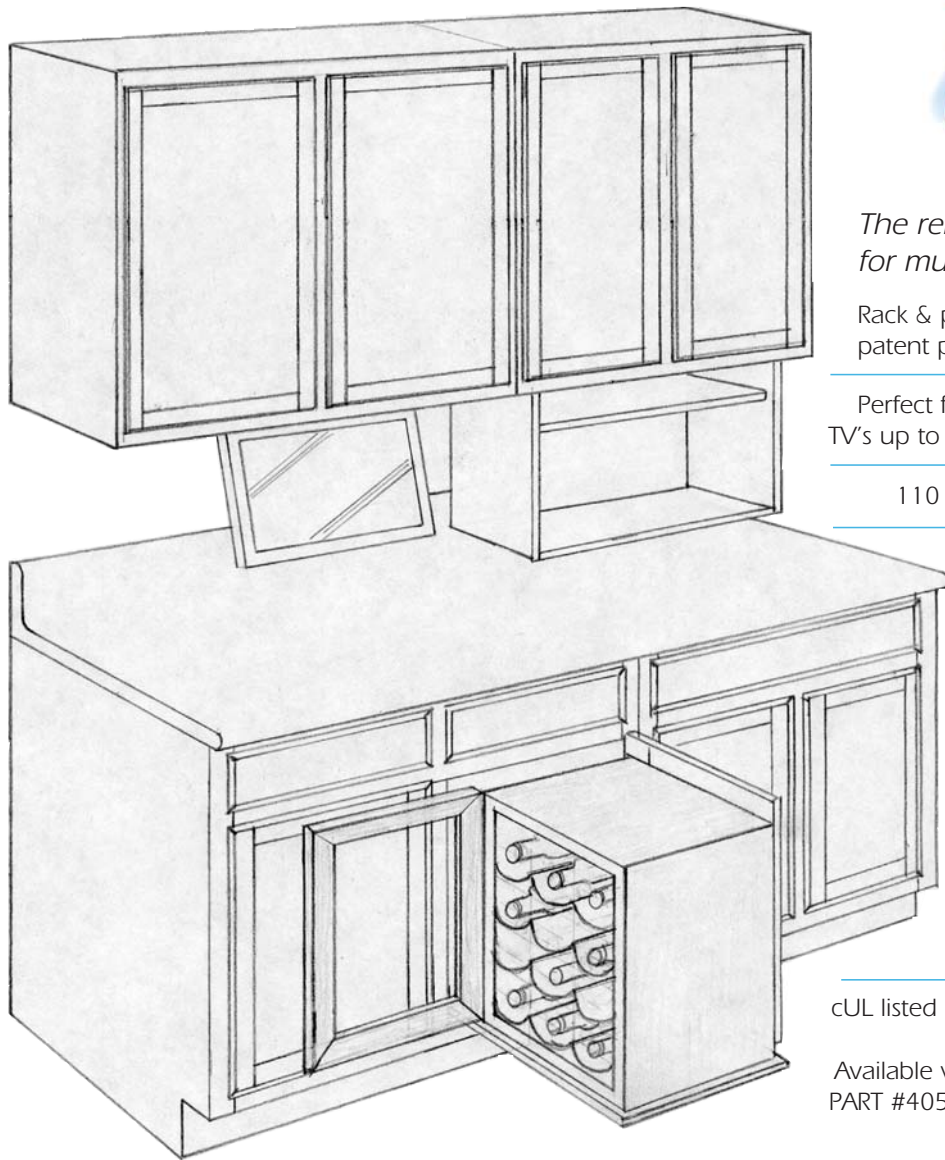


WHISPERTM

VERSALIFT

Ride



The remote control lift designed for multiple applications:

Rack & pinion design with unique patent pending stability system

Perfect for raising and lowering TV's up to 26", computer monitors etc.

110 Lb. (50kg) weight capacity

18" (457mm) stroke

Simple and fast mounting

Plug and play assembly

VersaLift is delivered complete inside one carton and includes:
PART #4055.645.495

Remote control (RF)

Manual override switch

cUL listed power supply

Available with optional mounting brackets
PART #4056.001.495

**WoodTM
Technology**

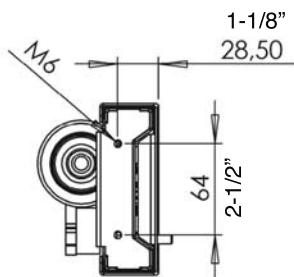
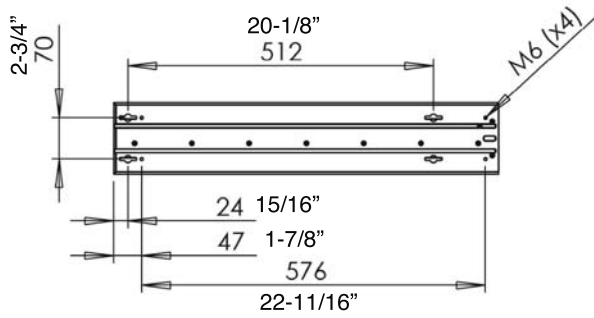
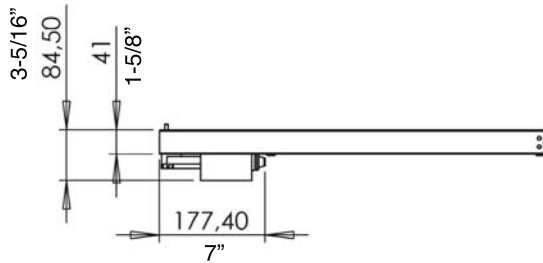
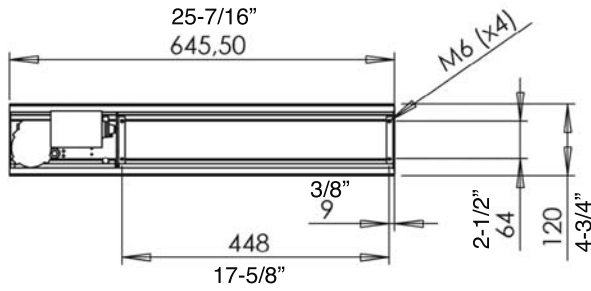
*Innovative Products, Ideas and Solutions
for Furniture and Cabinet Manufacturing*

P.O. Box 1301 ▪ 225 Elf Way ▪ Pittsboro, NC 27312
Ph: 800-231-9522 ▪ 919-542-6300 ▪ Fax: 919-542-2727
www.woodtechnology.com

WHISPER™

VERSALIFT

Ride



LISTED

Electrical Power Supply

Wood Technology™

Innovative Products, Ideas and Solutions
for Furniture and Cabinet Manufacturing

P.O. Box 1301 ▪ 225 Elf Way ▪ Pittsboro, NC 27312
Ph: 800-231-9522 ▪ 919-542-6300 ▪ Fax: 919-542-2727
www.woodtechnology.com